

Ad Layout Sheet

Use this sheet to layout your ad ideas, then give it to your specialty advertising consultant.

Please attach all logos, line art and/or photos necessary to complete this order.

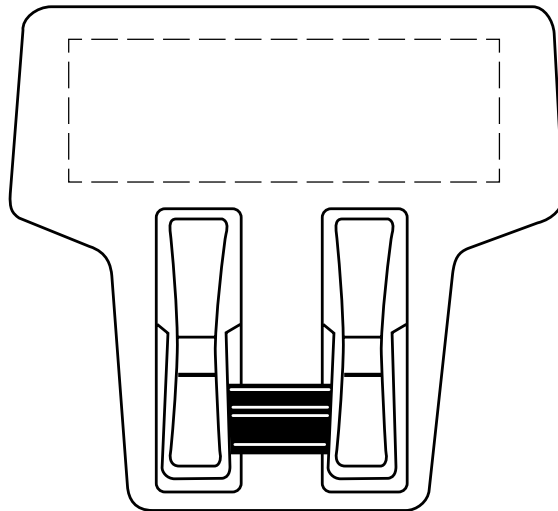
413 & 414 Redi-Grip Quick release, rubber roller, message holders.

413 Adhesive Backed
414 Magnetic

Actual size: 2-3/4" x 2-1/2".

Imprint area: (Dotted line indicates Ad Space)
2-1/4" x 3/4".

Item colors: White (S), Yellow, Recycled Off-White.



MORCO®

Specialty Advertising Products

www.morcoline.com

asi/72240 • PPAI 114004

(Dotted line indicates Ad Space)