

Ad Layout Sheet

Use this sheet to layout your ad ideas, then give it to your specialty advertising consultant.

Please attach all logos, line art and/or photos necessary to complete this order.

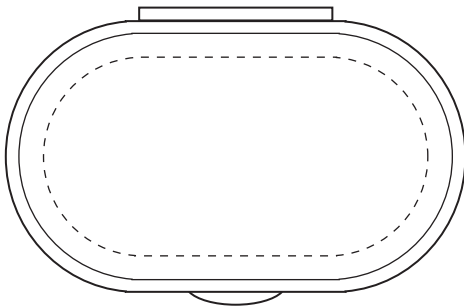
974 Pill Keeper

Keeps pills on person for handy taking.

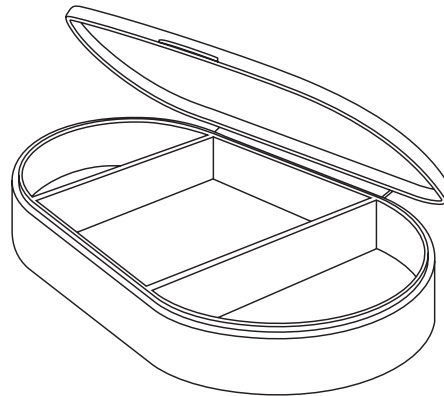
Actual size: 2-3/8" x 1 1/2".

Imprint area: Standard 2" x 1" (Note ad space is "pill" shape)

Item colors: White, Red, Blue, Green.



Standard Ad Panel



974 Pill Keeper

3/4 view with lid open
showing
compartments.



MORCO®

Specialty Advertising Products

www.morcoline.com

asi/72240 • PPAI 114004

(Dotted line indicates Ad Space)